

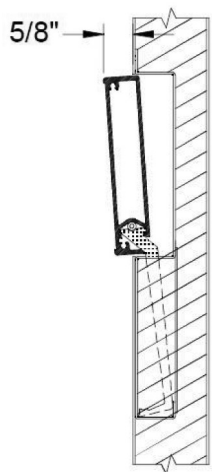
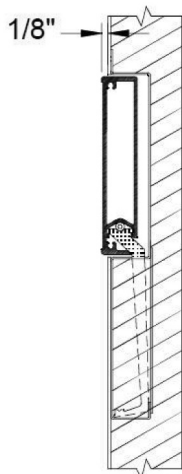
# PF 200 Flush Exit Device



**Door Closed**



**Door Open**

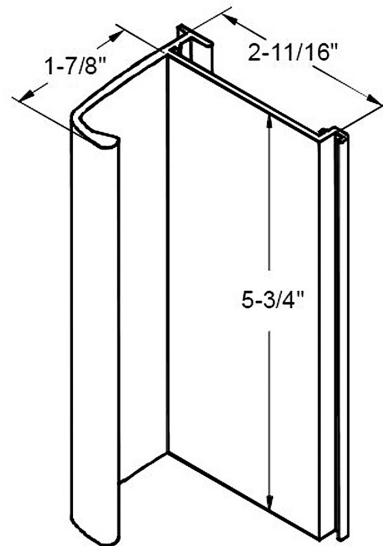


## SPECIFICATIONS

|                                       |   |
|---------------------------------------|---|
| <b>Lengths</b>                        | <ul style="list-style-type: none"> <li>• 24" For width of 2'5" and wider</li> <li>• 14" For width of 1'7" to 2'4-15/16"</li> </ul>  |
| <b>Height</b>                         | <ul style="list-style-type: none"> <li>• 4-3/8"</li> </ul>  |
| <b>Projection</b>                     | <ul style="list-style-type: none"> <li>• 5/8" Closed 1/8" Open</li> </ul>   |
| <b>Centerline from bottom of door</b> | <ul style="list-style-type: none"> <li>• 39-9/16"</li> <li>• 36-3/4"</li> </ul>   |
| <b>Finishes</b>                       | <ul style="list-style-type: none"> <li>• 628 Satin Anodized Aluminum</li> <li>• 710 Dark Bronze Anodized</li> <li>• Black</li> <li>• Insert to match door body</li> <li>• Architectural metal inserts: 629, 630, 707, 667, 710</li> </ul> |

## Flush Exit Device

- ADA compliant
- Fire rated up to 3 hours
- Available with levers, operating grips or exit only
- Only electrical unlatching function available
- Factory installed as an integral part of the Total Door System



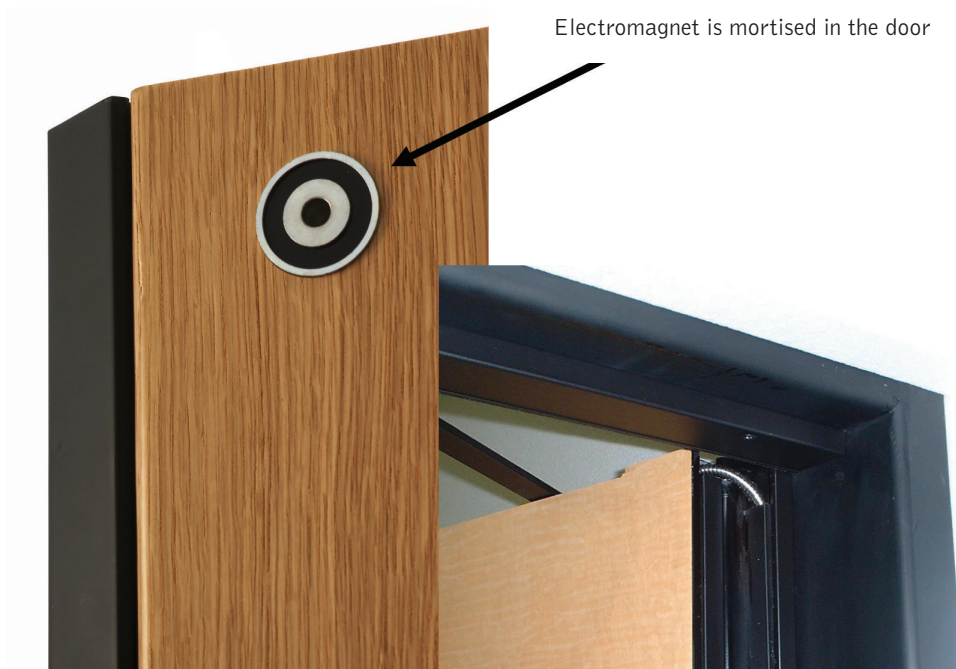
### SPECIFICATIONS

|                                       |   |
|---------------------------------------|---|
| <b>Width</b>                          | • 2-11/16"  |
| <b>Height</b>                         | • 5-3/4"  |
| <b>Projection</b>                     | • 1-7/8"  |
| <b>Centerline from bottom of door</b> | • 39-9/16"<br>• 36-3/4"   |
| <b>Finishes</b>                       | • 628 Satin Anodized Aluminum<br>• 710 Dark Bronze Anodized<br>• 28M Mirror Anodized<br>• Black |

### Operating Pull/Push Mechanisms and Trim

- ADA compliant
- Fire rated up to 3 hours
- Available in all standard mechanical functions and electrical unlatching function
- No exterior fasteners; trim can't loosen or fall off
- Operate with any standard A/R cam mortise cylinder
- Factory installed as an integral part of the Total Door System

# TDH 100 Electromagnetic Holder



Electromagnet is mortised in the door

Semi-concealed loop runs through hinge and frame

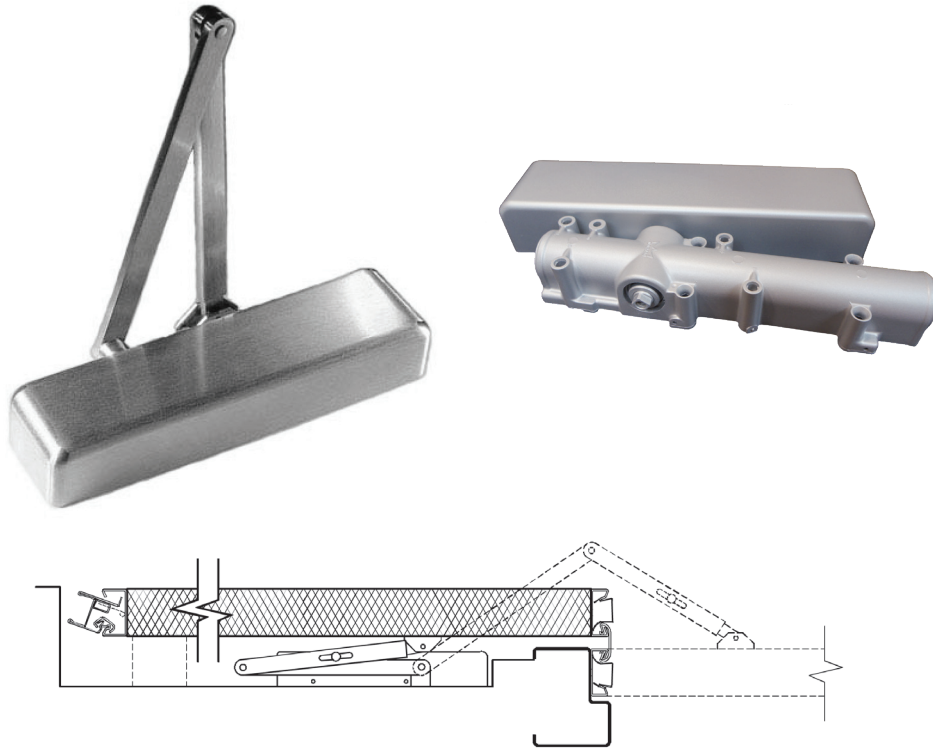
## SPECIFICATIONS

|                                    |                    |
|------------------------------------|--------------------|
| <b>Wall Mount Armature Lengths</b> | 13/16" to 2-13/16" |
| <b>Size</b>                        | 1-3/8" Diameter    |
| <b>Projection</b>                  | 1/8" Off door body |
| <b>Holding Force</b>               | 40 LBS             |

## Features

- Factory mortised in the door as an integral part of the Total Door System
- Pre-wired to eliminate the outlet box and coordination with the electrician
- 24 Volt DC 0.3 AMP transformer is included

# TDC 8907 Pocket Closer



## SPECIFICATIONS

|                          |                                |
|--------------------------|--------------------------------|
| <b>Degree of Swing</b>   | 180°                           |
| <b>Minimum Door Size</b> | 2'                             |
| <b>Adjustability</b>     | Latching, Closing & Back Check |
| <b>Mounting Location</b> | Pocket Wall                    |
| <b>Application Type</b>  | 180° Hold Open Pocket          |

### TDC 8907

- For 180° pocket application
- Universal application
- Standard adjustable back-check function
- Full plastic standard cover
- Aluminum finish
- Meets ANSI A156.26 Grade 1