

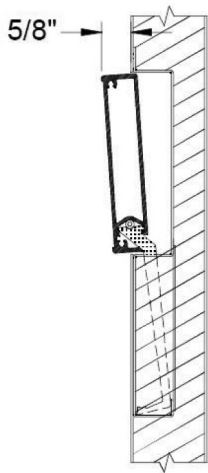
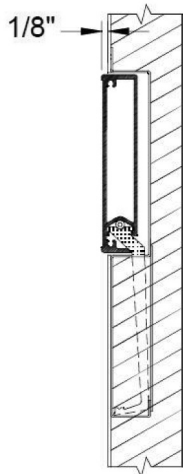
# PF 200 Flush Exit Device



Door Closed



Door Open

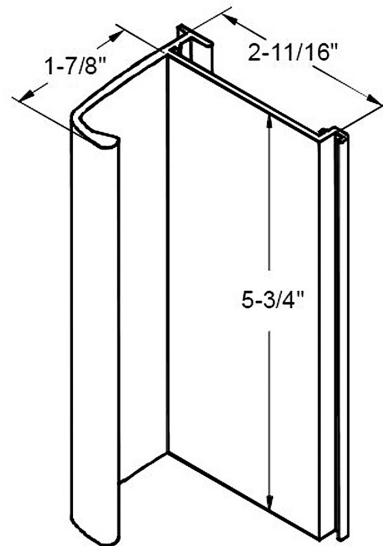


## SPECIFICATIONS

<b>Lengths</b>	<ul style="list-style-type: none"> <li>• 24" For width of 2'5" and wider</li> <li>• 14" For width of 1'7" to 2'4-15/16"</li> </ul>
<b>Height</b>	<ul style="list-style-type: none"> <li>• 4-3/8"</li> </ul>
<b>Projection</b>	<ul style="list-style-type: none"> <li>• 5/8" Closed 1/8" Open</li> </ul>
<b>Centerline from bottom of door</b>	<ul style="list-style-type: none"> <li>• 39-9/16"</li> <li>• 36-3/4"</li> </ul>
<b>Finishes</b>	<ul style="list-style-type: none"> <li>• 628 Satin Anodized Aluminum</li> <li>• 710 Dark Bronze Anodized</li> <li>• Black</li> <li>• Insert to match door body</li> <li>• Architectural metal inserts: 629, 630, 707, 667, 710</li> </ul>

## Flush Exit Device

- ADA compliant
- Fire rated up to 3 hours
- Available with levers, operating grips or exit only
- Only electrical unlatching function available
- Factory installed as an integral part of the Total Door System



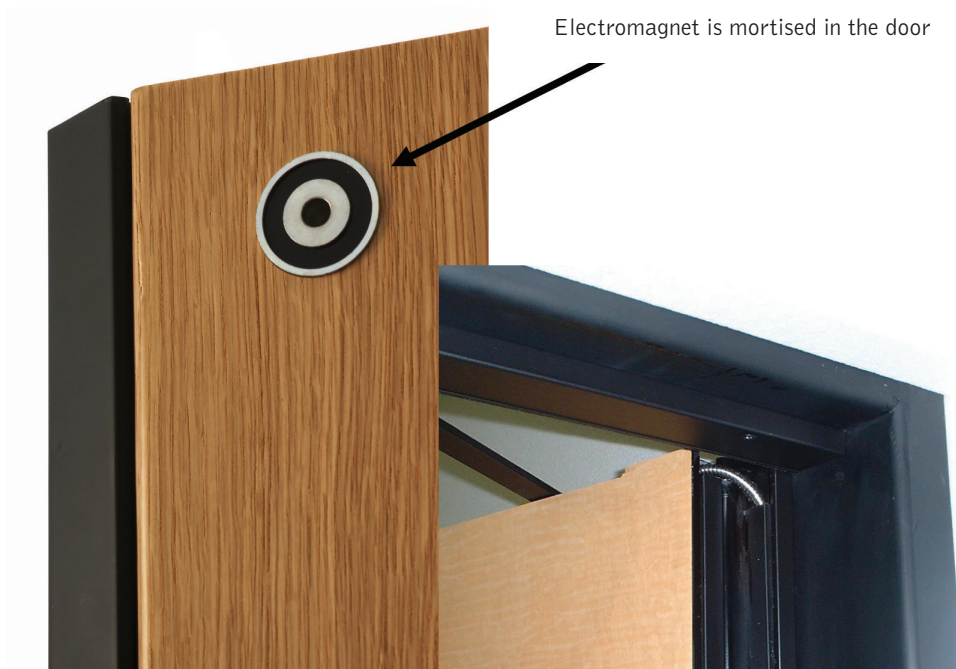
### SPECIFICATIONS

<b>Width</b>	• 2-11/16"
<b>Height</b>	• 5-3/4"
<b>Projection</b>	• 1-7/8"
<b>Centerline from bottom of door</b>	• 39-9/16" • 36-3/4"
<b>Finishes</b>	• 628 Satin Anodized Aluminum • 710 Dark Bronze Anodized • 28M Mirror Anodized • Black

### Operating Pull/Push Mechanisms and Trim

- ADA compliant
- Fire rated up to 3 hours
- Available in all standard mechanical functions and electrical unlatching function
- No exterior fasteners; trim can't loosen or fall off
- Operate with any standard A/R cam mortise cylinder
- Factory installed as an integral part of the Total Door System

# TDH 100 Electromagnetic Holder



Electromagnet is mortised in the door

Semi-concealed loop runs through hinge and frame

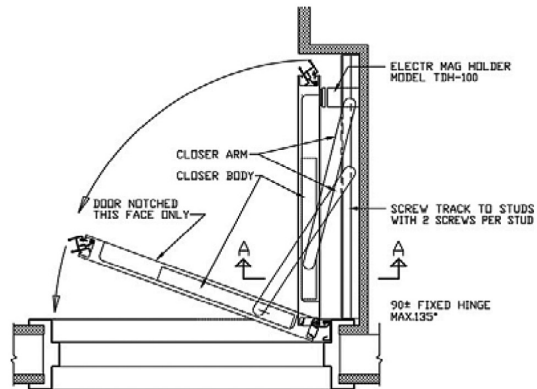
## SPECIFICATIONS

<b>Wall Mount Armature Lengths</b>	13/16" to 2-13/16"
<b>Size</b>	1-3/8" Diameter
<b>Projection</b>	1/8" Off door body
<b>Holding Force</b>	40 LBS

## Features

- Factory mortised in the door as an integral part of the Total Door System
- Pre-wired to eliminate the outlet box and coordination with the electrician
- 24 Volt DC 0.3 AMP transformer is included

# TDC 96P Concealed Closer



**TDC 96P Pocketed Application**

## SPECIFICATIONS

<b>Degree of Swing</b>	Up to 135°
<b>Minimum Door Size</b>	1'6"
<b>Adjustability</b>	Latching, Closing & Cush Stop
<b>Mounting Location</b>	Mortised in top rail of door
<b>Application Type</b>	Pocket

### Concealed Closer

- Fire rated to 3 hours
- Adjustable to sizes 1 through 5
- Retrofit to existing frames without mortising the frame
- Arm and track hidden when door is open
- Track and arm are color matched to door's hinge and locking channel
- Improved ADA compliance – cam action is 60% more efficient than a standard rack & pinion closer

**Note:** For abusive applications use the TDC5051 closer