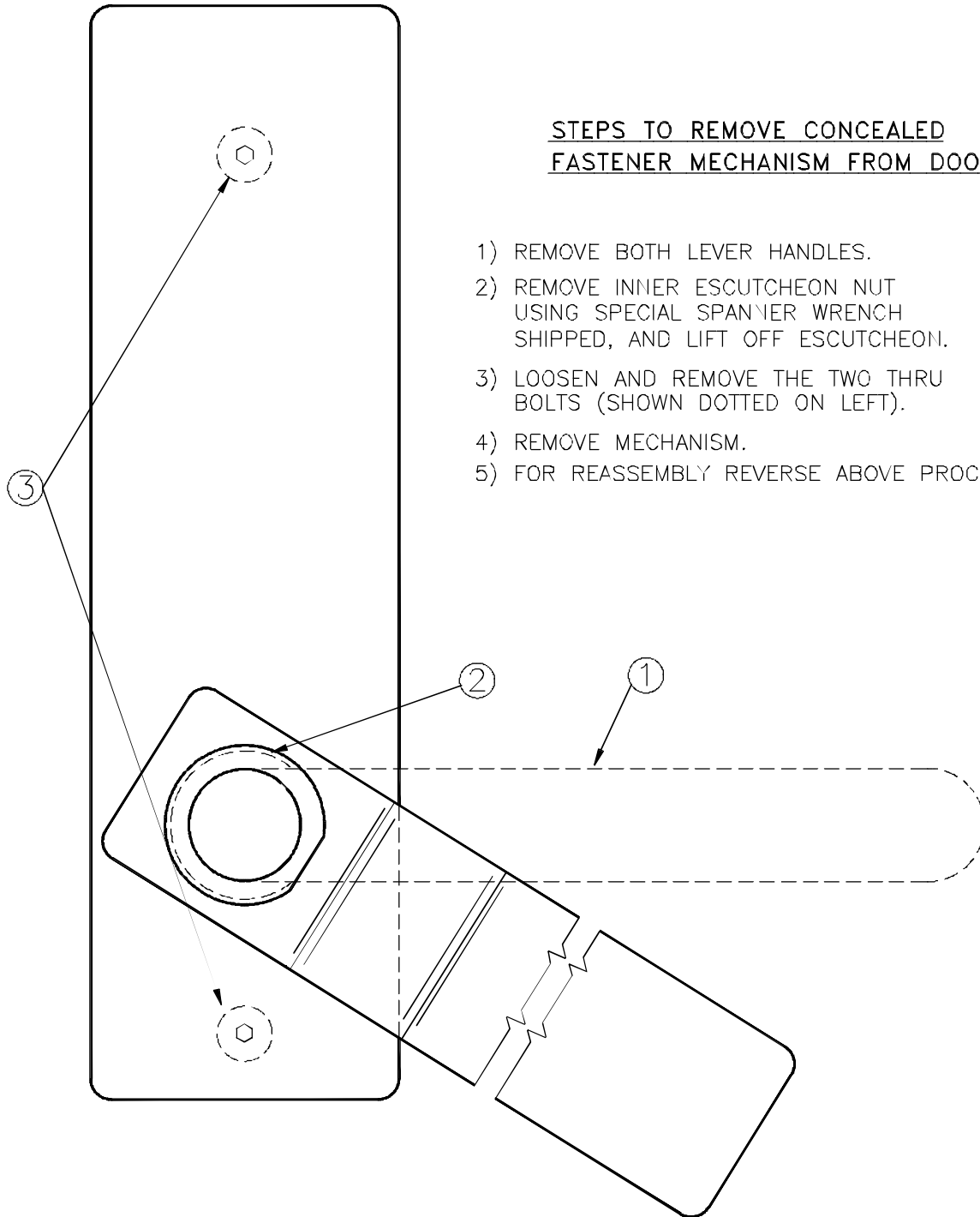


TECHNICAL DATA SHEET # 51

01

INSTALLATION OF ESCUTCHEONS WITH CONCEALED FASTENERS



STEPS TO REMOVE CONCEALED FASTENER MECHANISM FROM DOOR:

- 1) REMOVE BOTH LEVER HANDLES.
- 2) REMOVE INNER ESCUTCHEON NUT USING SPECIAL SPANNER WRENCH SHIPPED, AND LIFT OFF ESCUTCHEON.
- 3) LOOSEN AND REMOVE THE TWO THRU BOLTS (SHOWN DOTTED ON LEFT).
- 4) REMOVE MECHANISM.
- 5) FOR REASSEMBLY REVERSE ABOVE PROCEDURE.