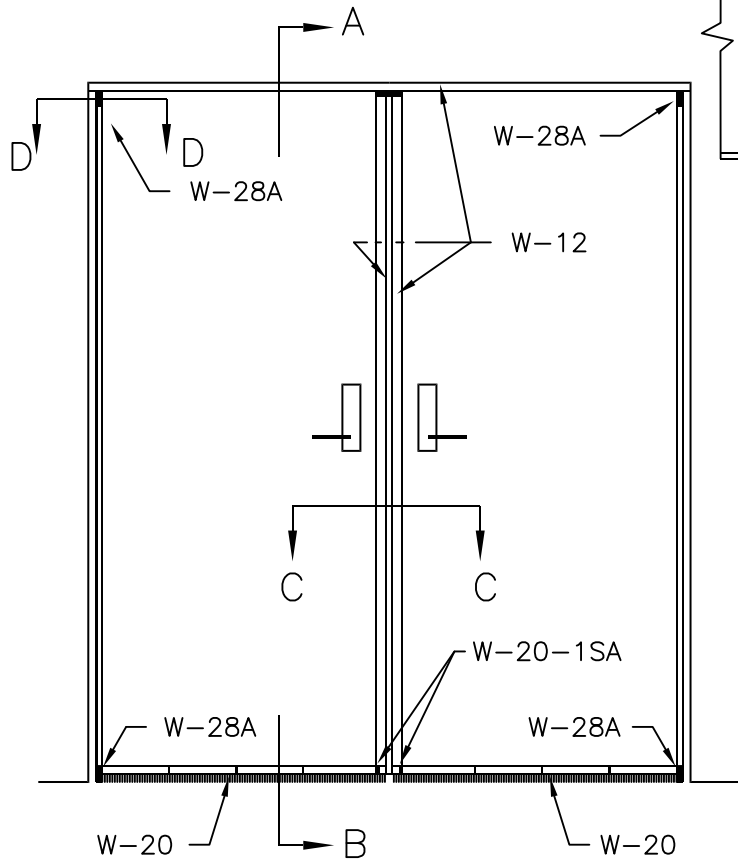


TECHNICAL DATA SHEET # 4

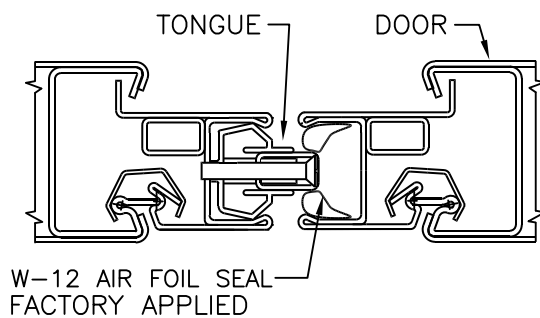
01

WEATHER SEAL – PAIR OF DOORS

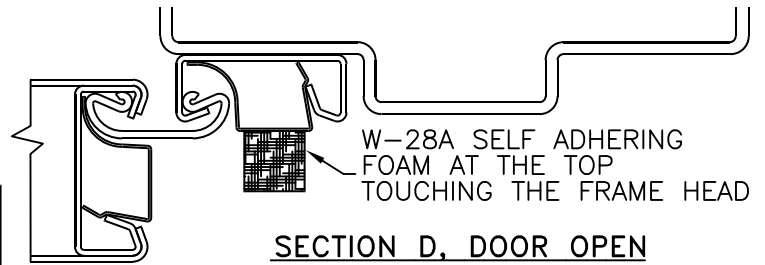
NOTE: W-28A=1/2"x1/2"x2" CELLULAR FOAM. FIELD MOUNT ON FACE OF H-15, JAMB HINGE BLOCK, END OF W-28 TO TOUCH FRAME HEAD & SILL, (4 PIECES)



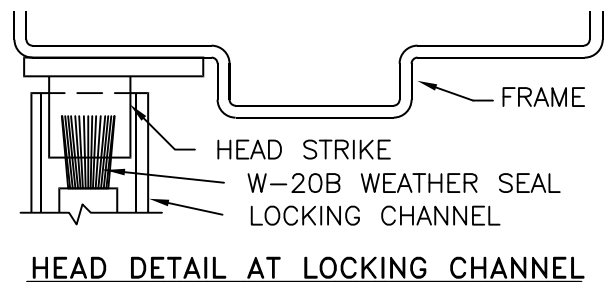
ELEVATION



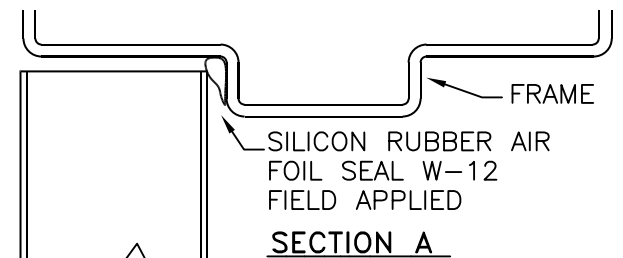
SECTION C



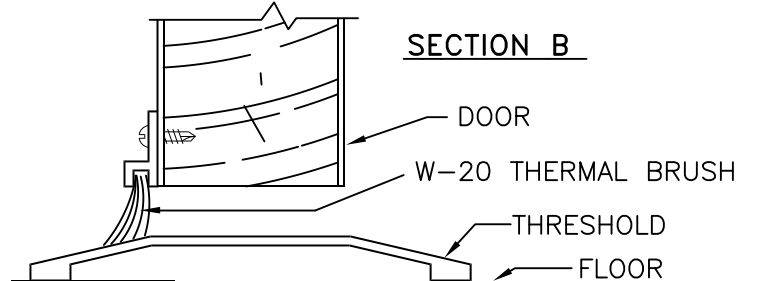
SECTION D, DOOR OPEN



HEAD DETAIL AT LOCKING CHANNEL



SECTION A



SECTION B