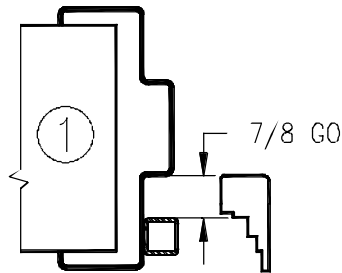


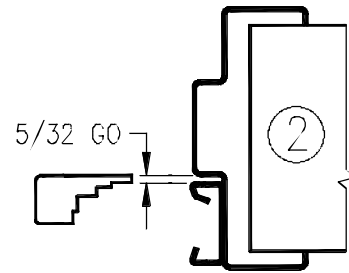
# TECHNICAL DATA SHEET # 36

02

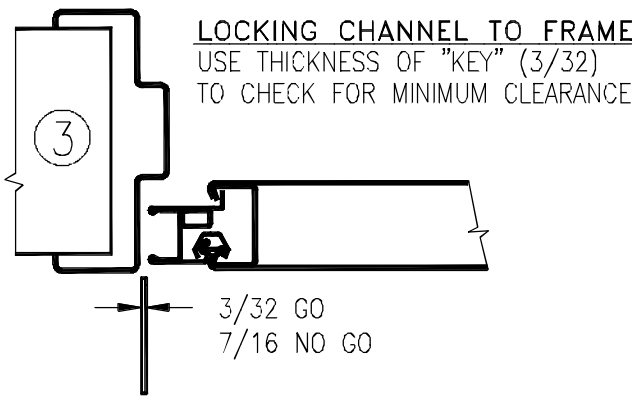
## TOTAL-DOOR INSTALLATION "KEY"



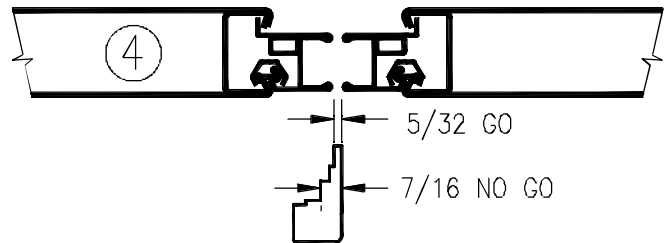
**LATCH STOP TO FRAME STOP**  
USE 7/8 PORTION OF "KEY" TO CHECK PROPER STOP POSITION



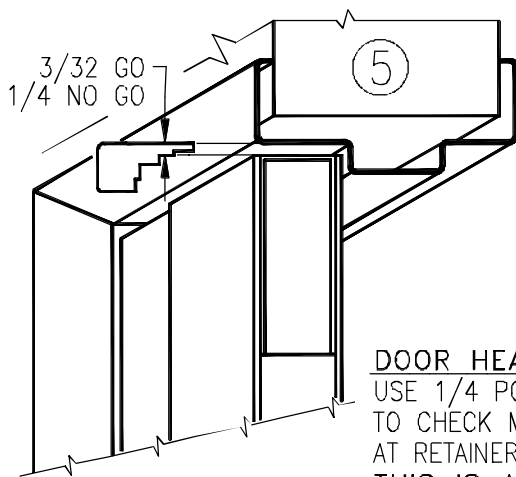
**HINGE HS'G TO FRAME STOP**  
USE 5/32 PORTION OF "KEY" TO CHECK FOR MINIMUM CLEARANCE AT TOP OF JAMB.



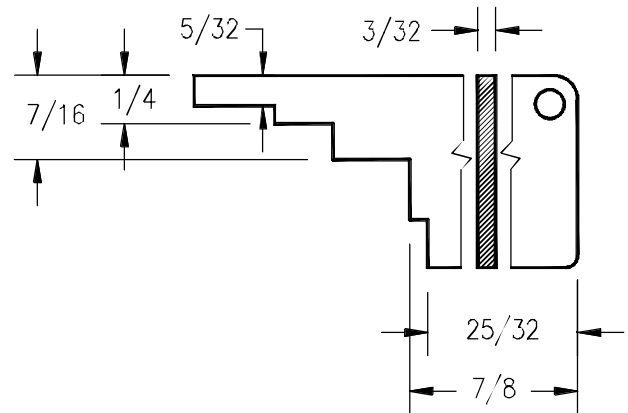
**LOCKING CHANNEL TO FRAME**  
USE THICKNESS OF "KEY" (3/32) TO CHECK FOR MINIMUM CLEARANCE



**LOCKING CHANNEL OF PAIRS**  
USE 5/32 PORTION OF "KEY" TO CHECK FOR MINIMUM CLEARANCE BETWEEN LOCKING CHANNELS. MEASURE PULL SIDE ONLY.



**DOOR HEAD TO FRAME**  
USE 1/4 PORTION OF "KEY" TO CHECK MAXIMUM CLEARANCE AT RETAINER.  
THIS IS A NO GO CHECK.



**TOTAL-DOOR INSTALLATION "KEY"**  
CHECKING OF INSTALLATION WITH THIS "KEY" WILL ASSURE SMOOTH, TROUBLE FREE OPERATION.