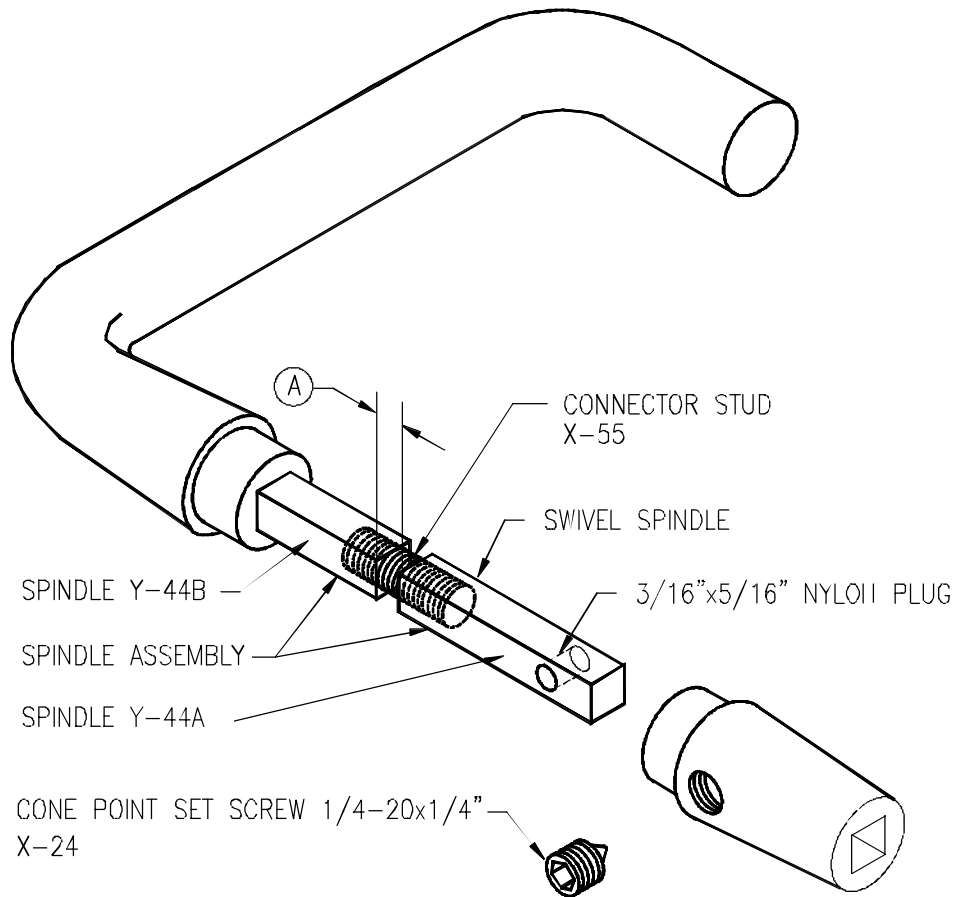


# TECHNICAL DATA SHEET # 33

03

## SPINDLE FASTENING DETAIL



Ⓐ **NOTE:** BACK OFF SPINDLE TO SUIT DOOR THICKNESS

THE NEW SPINDLE FASTENING MECHANISM FOR LEVERS IS PICTURED ABOVE.  
INSTALL AS FOLLOWS:

- A) TIGHTEN UP, THEN BACK OFF SWIVEL SPINDLE TO SUIT DOOR THICKNESS.
- B) INSERT LEVER FROM OUTSIDE. (NYLON PLUG MUST BE HORIZONTAL). PUSH ON INNER LEVER.
- C) CHECK THAT THE NYLON PLUG IS VISUALLY CENTERED ON THE SET SCREW HOLE. IF IT IS NOT, REMOVE OUTER LEVER AND SPINDLE AND ADJUST TO SUIT DOOR THICKNESS.
- D) REPEAT (B) AND (C)
- E) INSTALL SET SCREW.



**Total Door** SYSTEMS™  
Global Leader in Integrated Access Technology™

TEL. (800) 852-6660

[www.totaldoor.com](http://www.totaldoor.com)

© Total Door 2013

FILE NAME

TDS33-03

DATE 4/20/12