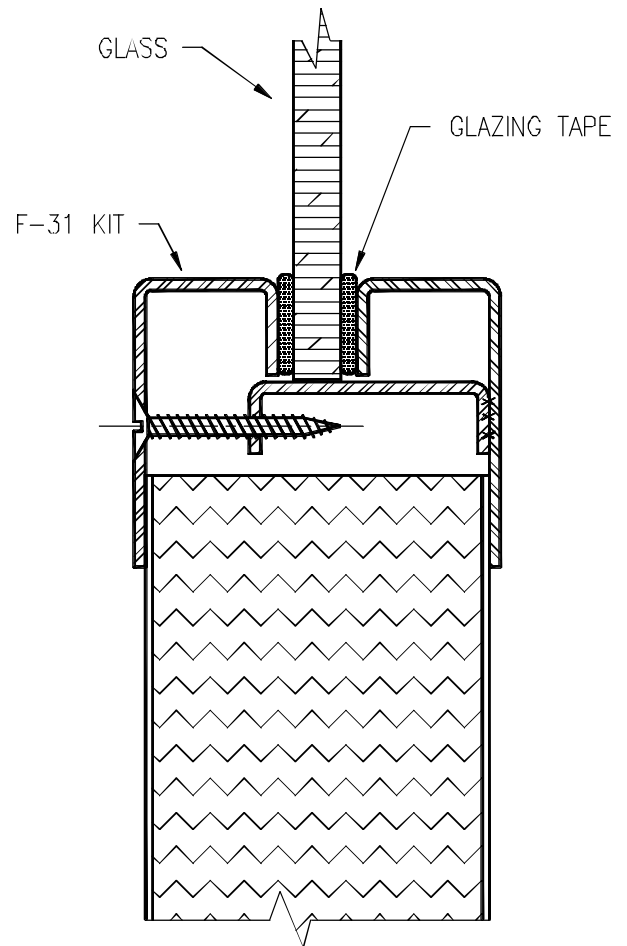
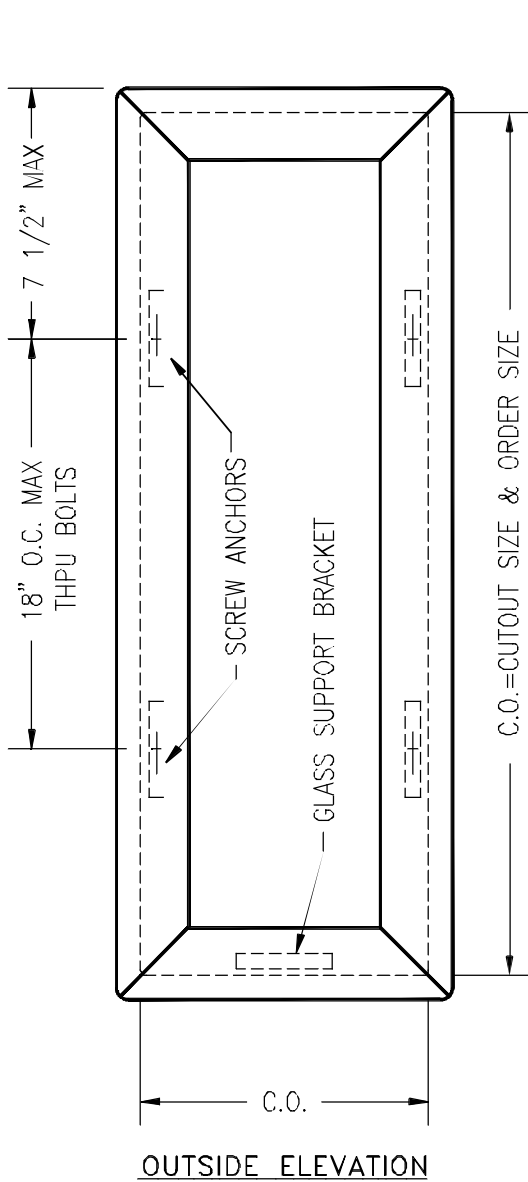


TECHNICAL DATA SHEET # 45

02

16 GA. STEEL LABELED LITE FRAME F-31



DETAIL SECTION
FULL SCALE

F-31 16GA. STEEL LITE FRAMES

SUPPLIED AS STANDARD ON ALL LABEL & NON-LABEL DOORS. LITE FRAME MATERIAL IS 16 GA. GALVANNEALED STEEL FINISHED IN A POLYURETHANE PAINT. SUPPLIED FOR 1/4" GLASS AS STANDARD.

STANDARDS ARE:

TYPE	ORDER SIZE & CUTOUT	GLASS SIZE	VISIBLE GLASS
V	12"x12"	11"x11"	10"x10"
II	6"x27"	5"x26"	4"x25"
II-1	5"x35"	4"x34"	3"x33"
G	VARIES WITH DOOR SIZE		

SEE PRODUCT GUIDE FOR LABEL AND SIZE RESTRICTIONS



Total Door SYSTEMS™
Global Leader in Integrated Access Technology™

TEL. (800) 852-6660

www.totaldoor.com

© Total Door 2013

FILE NAME

TDS45-02

DATE: 8/01/13