

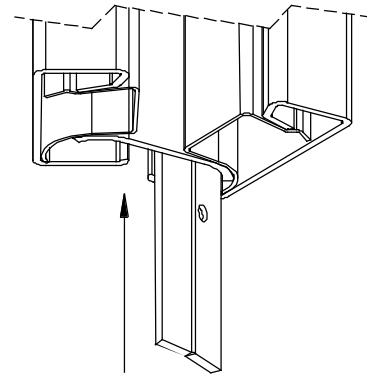
TECHNICAL DATA SHEET # 52

05

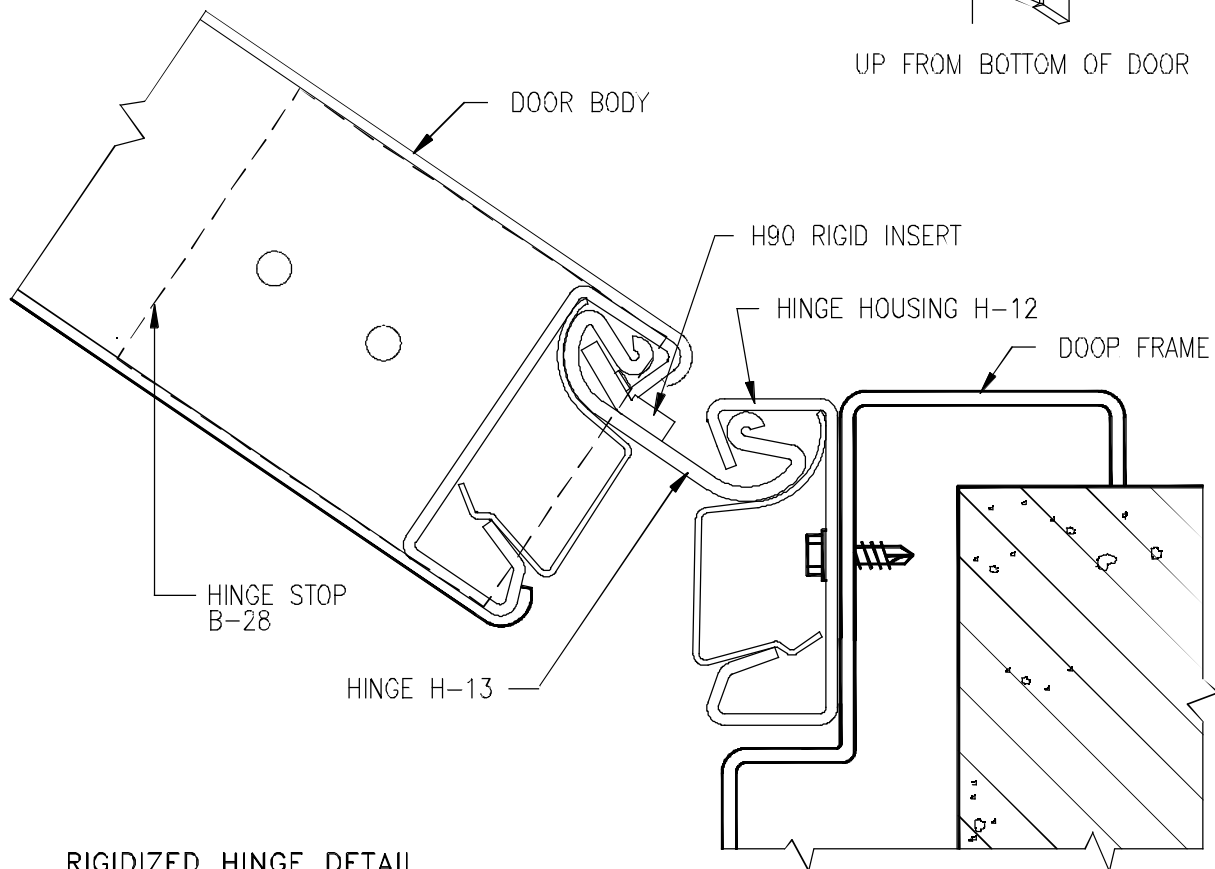
RIGIDIZED HINGE – FIELD MODIFICATION

FIELD INSTALLATION INSTRUCTIONS

- 1) REMOVE DOOR FROM THE OPENING.
- 2) REMOVE HINGE STOP (B-28) AND SLIDE RIGID INSERT (H-90) UP BETWEEN HINGE (H-13) AND THE BODY HINGE STILE AS SHOWN IN THE ILLUSTRATION BELOW.
- 3) REINSTALL HINGE STOP (B-28) & REINSTALL DOOR IN OPENING.



UP FROM BOTTOM OF DOOR



RIGIDIZED HINGE DETAIL



Total Door SYSTEMS™
Global Leader in Integrated Access Technology™

TEL. (800) 852-6660

www.totaldoor.com

© Total Door 2013

FILE NAME

TDS52-05

DATE 7/28/14