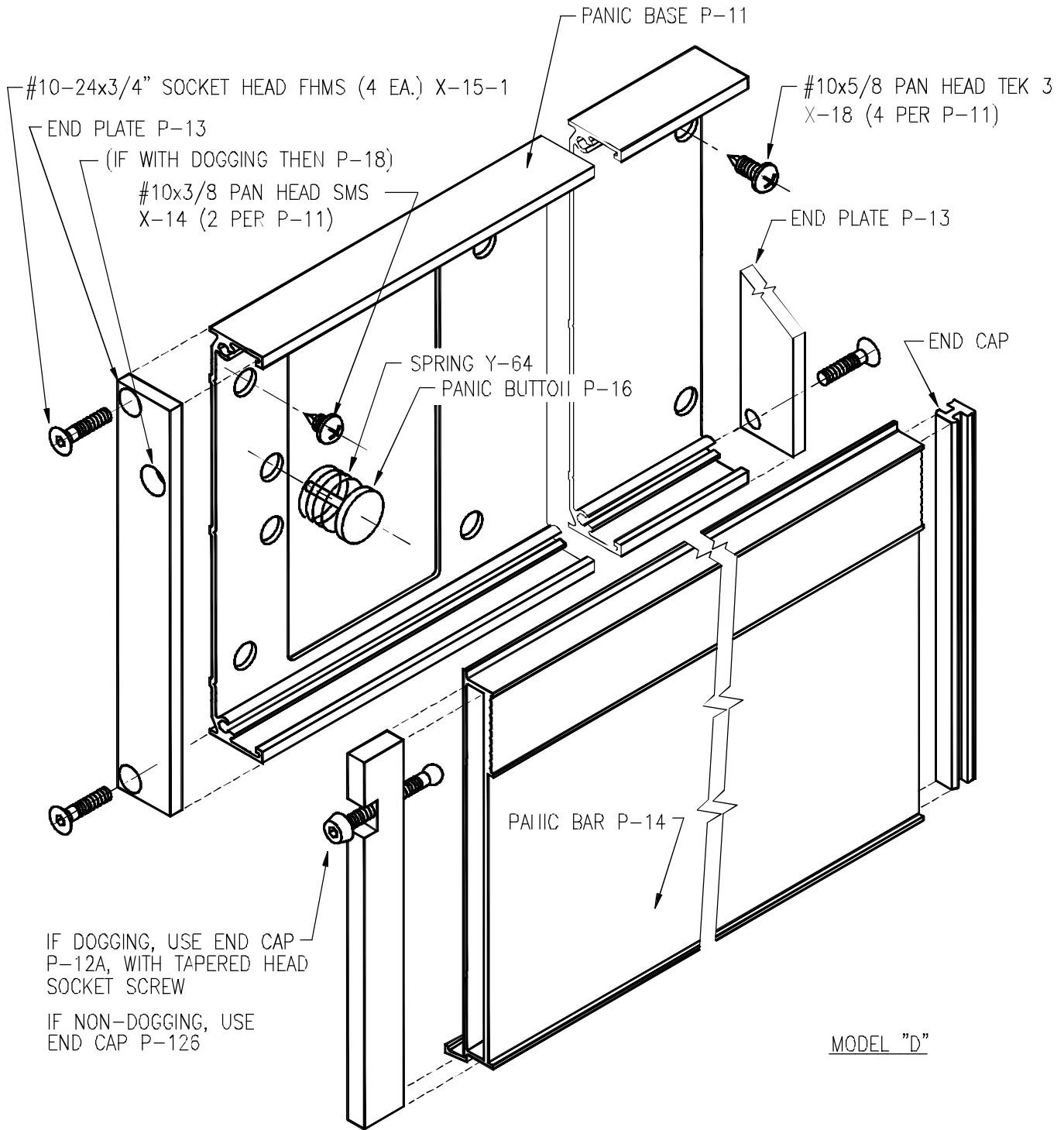


# TECHNICAL DATA SHEET # 1 F

01

## STANDARD PANIC DEVICE - COMPONENT PART NAMES AND NUMBERS



**Total Door** SYSTEMS™  
Global Leader in Integrated Access Technology™

TEL. (800) 852-6660  
www.totaldoor.com  
© Total Door 2013

FILE NAME
TDS1F-01
DATE 8/30/13