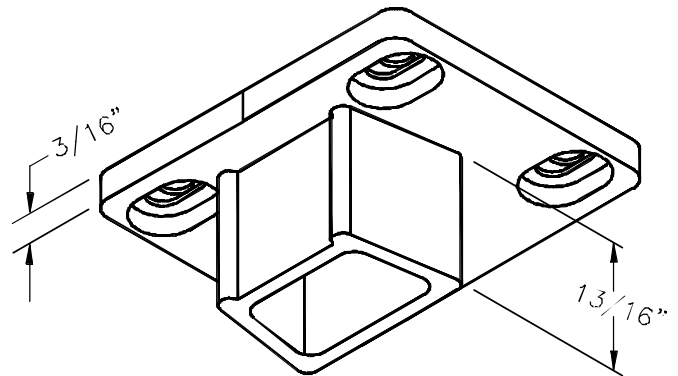
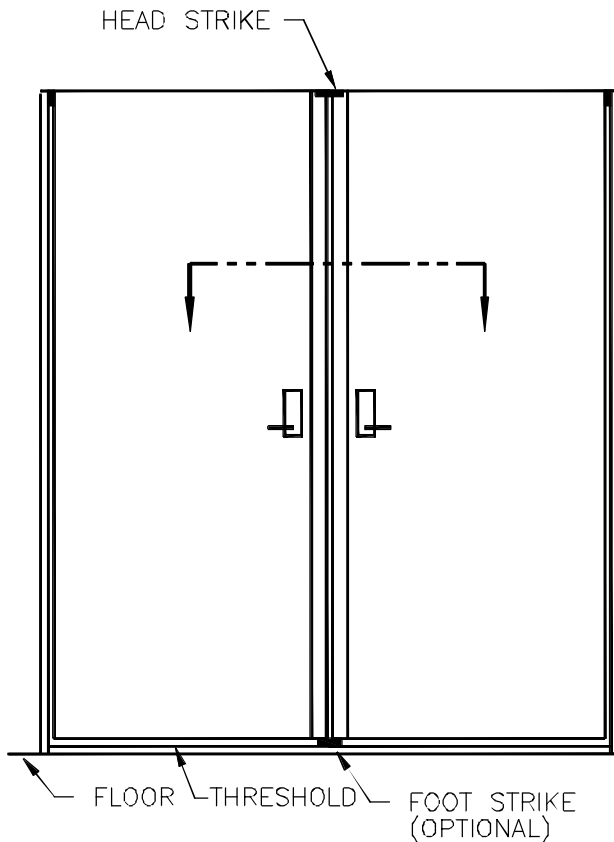


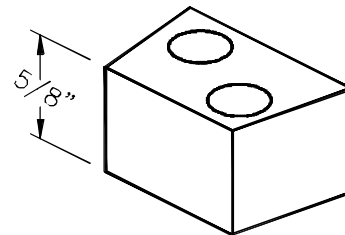
TECHNICAL DATA SHEET # 2

01

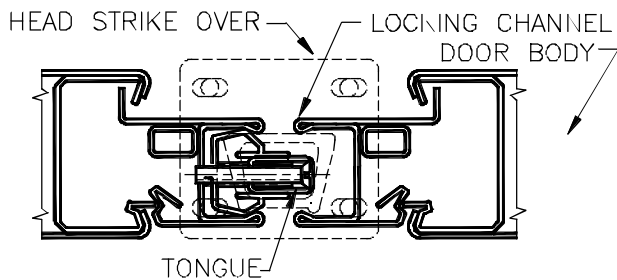
STANDARDS FOR PAIRS OF DOORS



L-45 HEAD STRIKE - BRONZE



L-46A FOOT STRIKE - BRASS



SECTION THRU LATCH STILES

TONGUE ADJUSTMENT:

TO MOVE TONGUE FURTHER OUT OF IT'S LOCKING CHANNEL L-11:

- BACK OUT PHILLIPS SCREW
- TIGHTEN ALLEN SET SCREW NEXT TO PHILLIPS SCREW

FOOT STRIKES ARE NOT REQUIRED FOR LABEL OR NON-LABEL DOORS, BUT ARE RECOMMENDED ON IN SWINGING, HIGH SECURITY DOORS.

NOTES

SCREWS:

STRIKES ARE MOUNTED WITH #10 5/8", #3 TEK, PAN HEAD SCREWS (SELF DRILLING & SELF-TAPPING) X-18

TONGUE:

THE R.H. OR L.H.R. DOOR OF A PAIR IS PROVIDED WITH AN ADJUSTABLE TONGUE TO ACCOMODATE FRAME VARIATIONS OF $\pm 1/16"$

ALIGNMENT:

PAIRS OF DOORS MUST HAVE BOTH LATCH STILES IN PLANE. WITHIN 1/8". MISALIGNMENT OVER 1/8" WILL RESULT IN HIGH MAINTENANCE AND LOSS OF SECURITY.

INSTALLATION:

THE HEAD & FOOT STRIKE MUST BE CENTERED $\pm 1/32"$ BETWEEN THE 2 DOORS, THE SMALL FACE OF THE STRIKE MUST BE ON THE PULL SIDE OF THE DOOR.