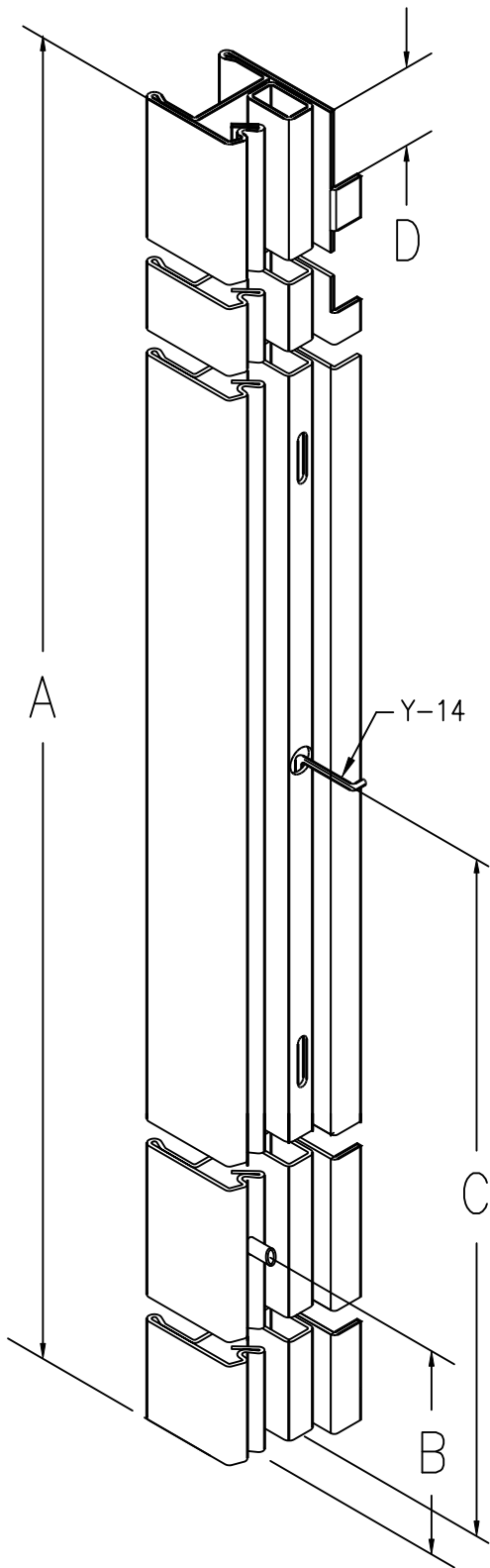


TECHNICAL DATA SHEET # 21

03

LOCKING CHANNEL – ORDERING INFORMATION



WHEN ORDERING REPLACEMENT LOCKING CHANNELS
ALL OF THE FOLLOWING INFORMATION IS REQUIRED

"A" OVERALL HEIGHT:	_____	
"B" ROLL PIN HEIGHT:	3"	_____
	OTHER	_____
"C" Y-14/MECHANISM HEIGHT	STANDARD	- 39-9/16"
	ELEMENTARY	- 34-9/16"
	ADA	- 36-3/4"
	OTHER	_____
"D" RETAINER TAB HEIGHT	7/8"	
	11/16"	
	3/16"	
HAND OF THE DOOR	LR/RH	RR/LH
CONFIGURATION OF DOOR	SINGLE	
	PAIR	
	DOUBLE EGRESS	
EXIT DEVICE	FLUSH PANIC	
	STANDARD/SURFACE PANIC	
	NONE	
PAIN T COLOR	WHITE SAND	
	PURE WHITE	
	BLACK	
	DARK BRONZE	
	GRAY	
	SILVER METALLIC	
	CUSTOM	_____
FOOT STRIKE	YES	NO
MODIFIED FOR ELECTRIC SOLENOID IN TOP RAIL	YES	NO