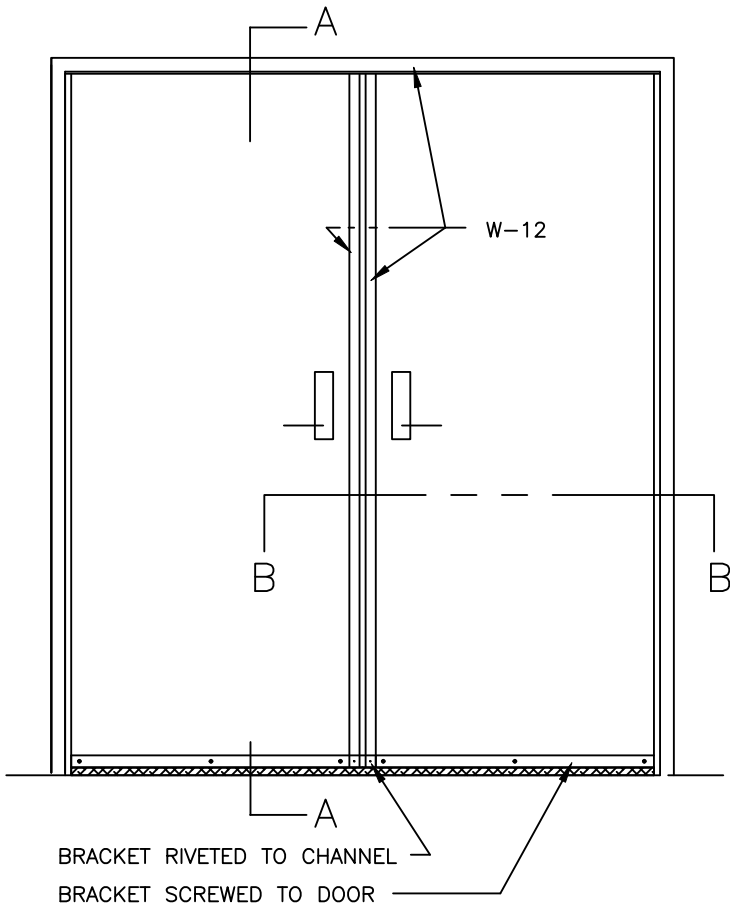
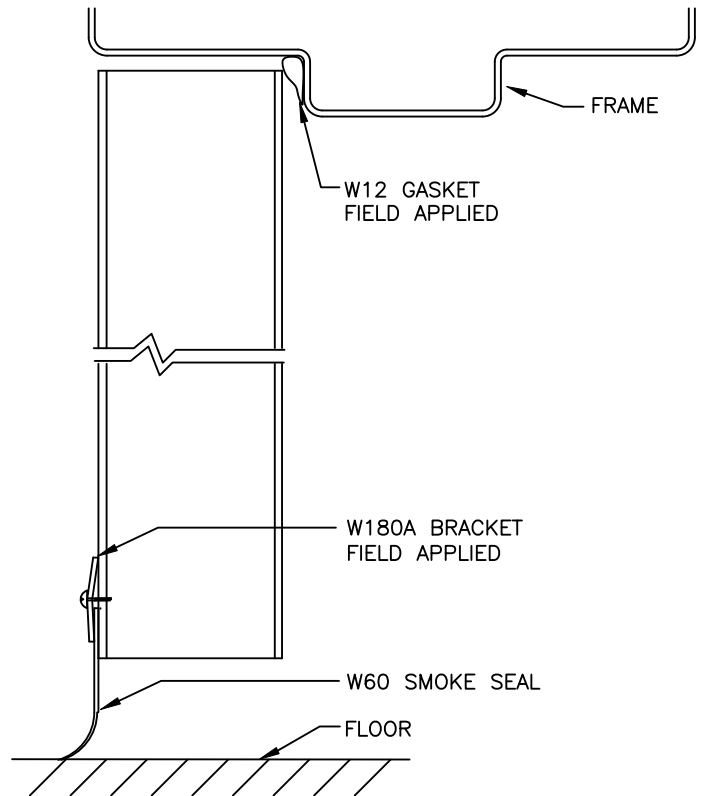


TECHNICAL DATA SHEET # 4C1

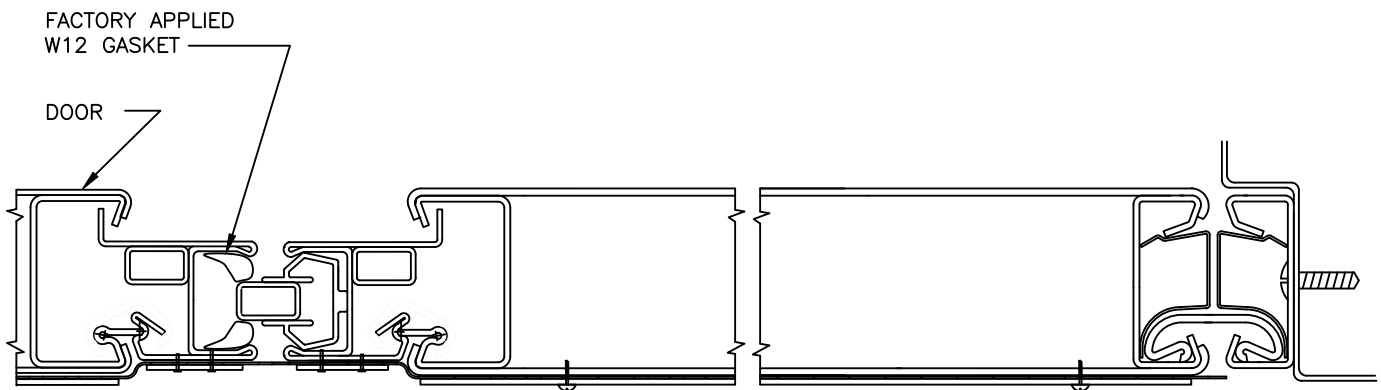
SURFACE MOUNTED SMOKE SEAL



ELEVATION



SECTION A



SECTION B

* UL1784 MEETS REQUIREMENTS FOR "TESTED WITHOUT AN ARTIFICIAL BOTTOM SEAL"



Total Door SYSTEMS™
Global Leader in Integrated Access Technology™

TEL. (800) 852-6660
www.totaldoor.com
© Total Door 2023

FILE NAME
TDS4C1
DATE 6/12/2023